

Lichtgitter SG 15 an GfA TS971 und (Feig FUXE)



GfA Parameter:

P 0.1 -> 3
P 2.5 -> 0

FUXE Parameter:

(P.460 - 5)
(P.461 - 0)
(P.372 - 200)

NEU !!

NEW !!

Klemme
Conector
2.1 (25)

Klemme
Conector
2.3 (SI 2)

Klemme
Conector
2.5 (26)

Klemme
Conector
24 V (25)

Klemme
Conector
GND (26)

Braun
Brown

Schwarz
Black

Blau
Blue

Weiß
White

Braun
Brown

Blau
Blue

TELCO SG15. OSE
Empfänger / Reciever

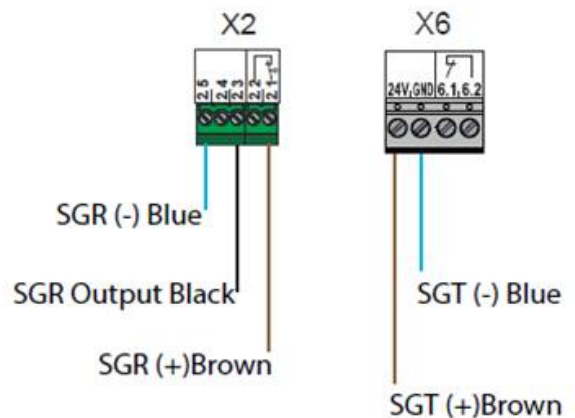
TELCO SG15. OSE
Sender / Transmitter

HINWEIS: Werte in Klammern (xx) nur für FEIG FUXE Steuerungen.



Brücke / Jumper !!!

Nur GfA, TS971:



SGT (+) Brown wire connected to block X6 - terminal 24 Vdc
SGR (-) Blue wire connected to block X6 - terminal GND

SGR (+) Brown wire connected to block X2 - terminal 2.1
SGR OSE Output - Black wire connected to block X2 - terminal 2.3

Stand: 07/2017